

Kwikset

kēvo™

Touch-to-Open® Smart Lock

2nd Generation

Overview

- 2nd Generation smart lock
- Touch-to-Open™ convenience
- Smaller and sleeker metal interior
- Improved install experience

Security

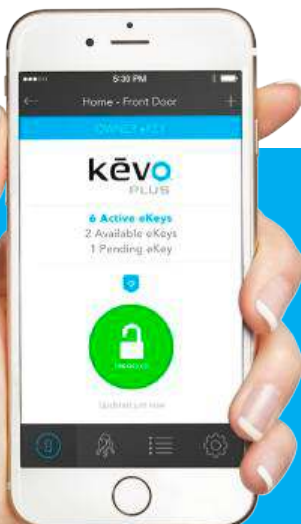
- Military grade PKI encryption
- Inside/Outside Positioning Technology
- New Advanced SmartKey™ Security

Kevo App

- Share and manage eKey access via smartphone
- Receive notifications
- Monitor lock history
- Download from



Open your world with the latest Touch-to-Open™ Kevo smart lock powered by your smartphone and Bluetooth.



Kevo is compatible with:



Nest® Learning Thermostat



Apple® Watch



Honeywell® Thermostats™ (select models)



Ring™ Video Doorbell



Skybell® WiFi Doorbell



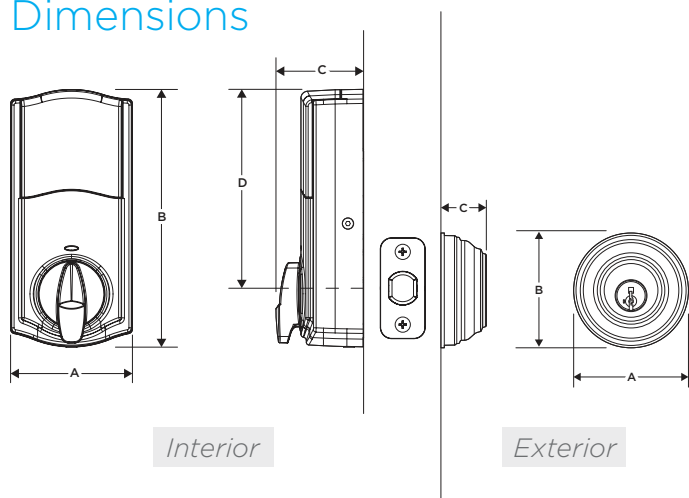
Android Wear

For a complete compatibility list: www.kwikset.com/kevo/compatibility

kēvo™

Touch-to-Open® Smart Lock

Dimensions



Design	A	B	C	D
Kevo™ Interior	2 3/4" (50.8 mm)	5 3/4" (146.05 mm)	2" (44.45 mm)	1 3/16" (30.16 mm)
Kevo™ Exterior	2 3/4" (69.85 mm)	2 3/4" (69.85 mm)	1 5/32" (29.37 mm)	---

Finishes



System Requirements

- Bluetooth Smart ready with a Bluetooth 4.0 enabled device
- Data connection required to download Kevo mobile app
- Smartphone compatibility: Apple iPhone 4S or higher and Android 5.0 (Lollipop) or higher. Check here for an updated compatibility list: www.kwikset.com/Kevo

Specifications

Function	Single Cylinder Deadbolt
Door Prep	2 1/8" diameter face hole & 1" diameter latch hole
Backset	Adjustable 2 3/8" or 2 3/4"
Door Thickness	1 3/4" automatic adjustment
Cylinder	SmartKey® Re-key Technology
Faceplates	1" x 2 1/4" round corner standard
Strikes	Round corner strike 2 3/4" x 1 1/8"
Latch	Round corner adjustable 2 3/8" x 2 3/4"
Bolt	1" throw, steel deadbolt
Door Handing	Reversible
Batteries	4AA Required

What's In The Box

- Kevo deadbolt
- 4 AA batteries
- 2 eKeys
- 2 standard keys

Accessories (sold separately)

- Works with Fob if you don't have a smartphone
- Kevo Plus for remote access

